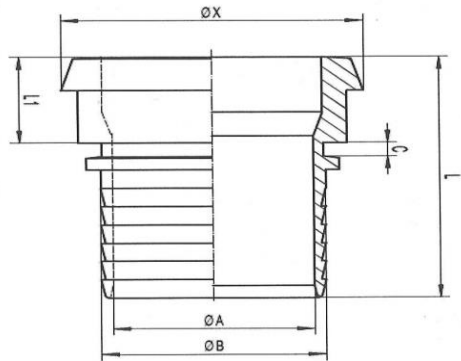
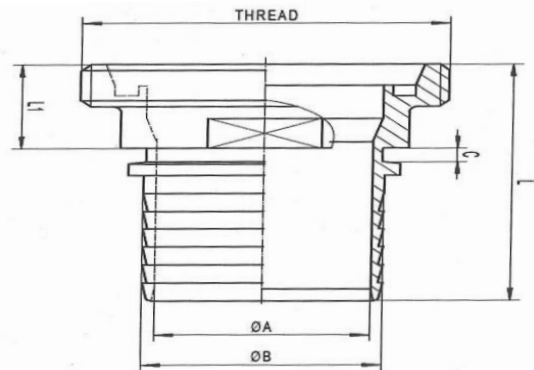


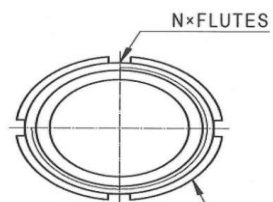
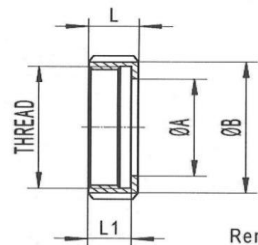
| DIN |        |       |       |        |       |    |     |          |      |
|-----|--------|-------|-------|--------|-------|----|-----|----------|------|
| Код | Размер | ФХ    | ФА    | ФВ     | L     | L1 | C   | Тепло/кг | Цена |
|     | DN15   | Ф28.5 | Ф9    | Ф13.2  | 60    | 17 | 4   |          |      |
|     | DN20   | Ф36.5 | Ф15   | Ф19.2  | 61    | 18 | 4   | 0.105    |      |
|     | DN25   | Ф44   | Ф21   | Ф25.2  | 64.5  | 22 | 4   | 0.160    |      |
|     | DN32   | Ф50   | Ф28   | Ф32.2  | 67    | 25 | 4   | 0.215    |      |
|     | DN40   | Ф56   | Ф33.5 | Ф38    | 68    | 26 | 4.5 | 0.270    |      |
|     | DN40   | Ф56   | Ф33.5 | Ф38.2  | 82    | 24 | 4.5 |          |      |
|     | DN50   | Ф68.5 | Ф45.8 | Ф51    | 79    | 28 | 4.5 | 0.410    |      |
|     | DN50   | Ф68.5 | Ф45.8 | Ф50.2  | 79    | 28 | 4.5 |          |      |
|     | DN65   | Ф86   | Ф58   | Ф63.5  | 102   | 32 | 5.5 | 0.760    |      |
|     | DN65   | Ф86   | Ф58   | Ф63.5  | 109   | 24 | 5.5 |          |      |
|     | DN80   | Ф100  | Ф70.3 | Ф76.1  | 120   | 37 | 5.5 | 1.000    |      |
|     | DN80   | Ф100  | Ф70.3 | Ф76.1  | 105   | 37 | 5.5 |          |      |
|     | DN100  | Ф121  | Ф94   | Ф101.6 | 143   | 44 | 8   | 1.800    |      |
|     | DN100  | Ф121  | Ф94   | Ф100.2 | 140.5 | 44 | 8   |          |      |



| Мъжки |        |            |       |        |       |    |     |          |      |
|-------|--------|------------|-------|--------|-------|----|-----|----------|------|
| Код   | Размер | Резба      | ΦА    | ΦВ     | L     | L1 | C   | Тегло/кг | Цена |
|       | DN15   | RD34x1/8"  | Φ9    | Φ13.2  | 63    | 20 | 4   |          |      |
|       | DN20   | RD44x1/6"  | Φ15   | Φ19.2  | 65    | 22 | 4   |          |      |
|       | DN25   | RD52x1/6"  | Φ21   | Φ25.2  | 64.5  | 22 | 4   | 0.18     |      |
|       | DN32   | RD58x1/6"  | Φ28   | Φ32.2  | 67    | 25 | 4   | 0.22     |      |
|       | DN40   | RD65x1/6"  | Φ33.5 | Φ38    | 68    | 26 | 4.5 | 0.29     |      |
|       | DN40   | RD65x1/6"  | Φ33.5 | Φ38.2  | 82    | 24 | 4.5 |          |      |
|       | DN50   | RD78x1/6"  | Φ45.8 | Φ51    | 79    | 28 | 4.5 | 0.43     |      |
|       | DN50   | RD78x1/6"  | Φ45.8 | Φ50.2  | 79    | 28 | 4.5 |          |      |
|       | DN65   | RD95x1/6"  | Φ58   | Φ63.5  | 102   | 32 | 5.5 | 0.77     |      |
|       | DN65   | RD95x1/6"  | Φ58   | Φ63.5  | 109   | 24 | 5.5 |          |      |
|       | DN80   | RD110x1/4" | Φ70.3 | Φ76.1  | 120   | 37 | 5.5 | 1.1      |      |
|       | DN80   | RD110x1/4" | Φ70.3 | Φ75.2  | 105   | 37 | 5.5 |          |      |
|       | DN100  | RD130x1/4" | Φ94   | Φ101.6 | 143   | 44 | 8   | 1.8      |      |
|       | DN100  | RD130x1/4" | Φ94   | Φ100.2 | 140.5 | 44 | 8   |          |      |



| DIN Гайка |        |            |      |      |    |    |   |          |      |
|-----------|--------|------------|------|------|----|----|---|----------|------|
| Код       | Размер | Резба      | ΦА   | ΦВ   | L  | L1 | N | Тегло/кг | Цена |
| DN10      |        | RD28x1/8"  | Φ19  | Φ38  | 18 | 15 | 4 |          |      |
| DN15      |        | RD34x1/8"  | Φ25  | Φ44  | 18 | 15 | 4 |          |      |
| DN20      |        | RD44x1/6"  | Φ31  | Φ54  | 20 | 17 | 4 |          |      |
| DN25      |        | RD52x1/6"  | Φ36  | Φ63  | 21 | 18 | 4 |          |      |
| DN32      |        | RD58x1/6"  | Φ42  | Φ70  | 21 | 18 | 4 |          |      |
| DN40      |        | RD65x1/6"  | Φ49  | Φ78  | 21 | 18 | 4 |          |      |
| DN50      |        | RD78x1/6"  | Φ62  | Φ92  | 22 | 19 | 4 |          |      |
| DN65      |        | RD95x1/6"  | Φ80  | Φ112 | 25 | 21 | 6 |          |      |
| DN75      |        |            |      |      |    |    |   |          |      |
| DN80      |        | RD110x1/4" | Φ94  | Φ127 | 29 | 25 | 6 |          |      |
| DN100     |        | RD130x1/4" | Φ115 | Φ148 | 31 | 26 | 6 |          |      |
| DN125     |        | RD160x1/4" | Φ138 | Φ178 | 35 | 30 | 6 |          |      |
| DN150     |        | RD190x1/4" | Φ164 | Φ210 | 40 | 34 | 6 |          |      |



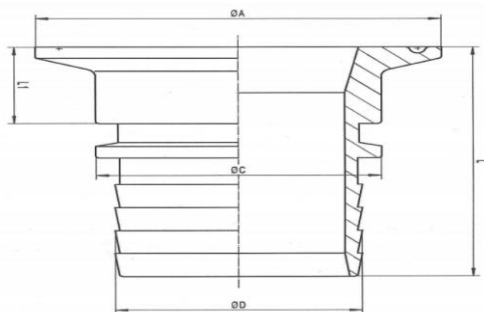
1.4301 DNxx xxxx  
 Batch No.  
 Size  
 Material

Markings: 1.4301 DNxx xxxx

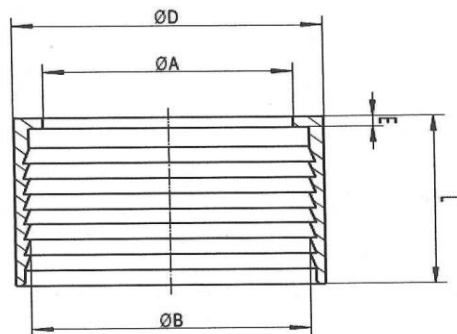
- Remarks:  
 1. Design norm: DIN11851  
 2. For other material, please inquire.



| За маркуч |             |       |       |        |      |      |          |      |
|-----------|-------------|-------|-------|--------|------|------|----------|------|
| Код       | Размер      | ΦА    | ΦС    | ΦD     | L    | L1   | Тегло/кг | Цена |
|           | DN10/50.5   | Φ50.5 | Φ13   | Φ10    | 48.8 | 17   |          |      |
|           | DN12/50.5   | Φ50.5 | Φ15   | Φ12    | 48.8 | 17   |          |      |
|           | DN16/50.5   | Φ50.5 | Φ19   | Φ16    | 48.8 | 17   |          |      |
|           | DN19/50.5   | Φ50.5 | Φ26   | Φ19    | 48.8 | 17   |          |      |
|           | DN25/50.5   | Φ50.5 | Φ31   | Φ25    | 48.8 | 17   |          |      |
|           | DN25/50.5   | Φ50.5 | Φ31   | Φ25    | 52   | 17   |          |      |
|           | DN27/50.5   | Φ50.5 | Φ31   | Φ27    | 48.8 | 17   |          |      |
|           | DN32.4/50.5 | Φ50.5 | Φ38.5 | Φ32.4  | 64   | 22   |          |      |
|           | DN39/50.5   | Φ50.5 | Φ45   | Φ39    | 64   | 24   |          |      |
|           | DN39/64     | Φ64   | Φ45   | Φ39    | 60   | 20   |          |      |
|           | DN51/64     | Φ64   | Φ56   | Φ51    | 75.2 | 25   |          |      |
|           | DN51/77.5   | Φ77.5 | Φ56   | Φ51    | 75.2 | 25   |          |      |
|           | DN63.5/77.5 | Φ77.5 | Φ71   | Φ63.5  | 90.5 | 25.5 |          |      |
|           | DN65/77.5   | Φ77.5 | Φ71   | Φ65    | 86   | 30   |          |      |
|           | DN64/77.5   | Φ77.5 | Φ71   | Φ64    | 86   | 30   |          |      |
|           | DN78/91     | Φ91   | Φ83.5 | Φ78    | 89   | 32   |          |      |
|           | DN76/91     | Φ91   | Φ83.5 | Φ76    | 89   | 32   |          |      |
|           | DN76/91     | Φ91   | Φ83.5 | Φ76    | 104  | 32   |          |      |
|           | DN78/91     | Φ91   | Φ83.5 | Φ78    | 104  | 32   |          |      |
|           | DN100.3/119 | Φ119  | Φ110  | Φ100.3 | 130  | 31   |          |      |
|           | DN101.6/119 | Φ119  | Φ110  | Φ101.6 | 130  | 31   |          |      |





| Чаша |        |      |      |       |     |     |  |          |      |
|------|--------|------|------|-------|-----|-----|--|----------|------|
| Код  | Размер | A    | B    | D     | E   | L   |  | Тегло/кг | Цена |
|      | DN13   | 13   |      |       | 5   |     |  |          |      |
|      | DN25   | 32.5 | 39   | 44.5  | 3   | 41  |  |          |      |
|      | DN25   | 32.5 | 41   | 46.5  | 3   | 46  |  |          |      |
|      | DN32   | 40   | 47   | 54    | 3   | 41  |  |          |      |
|      | DN32   | 40   | 53   | 59    | 3   | 46  |  |          |      |
|      | DN40   | 45.5 | 52.5 | 60.3  | 3   | 41  |  |          |      |
|      | DN40   | 45.5 | 58   | 66    | 3   | 46  |  |          |      |
|      | DN50   | 60   | 67   | 74.5  | 3.5 | 55  |  |          |      |
|      | DN50   | 60   | 71   | 78.5  | 3.5 | 55  |  |          |      |
|      | DN65   | 73.5 | 82   | 89.5  | 4   | 65  |  |          |      |
|      | DN65   | 73.5 | 86   | 93.5  | 4   | 71  |  |          |      |
|      | DN75   | 85.5 | 93.6 | 101.6 | 4   | 83  |  |          |      |
|      | DN75   | 85.5 | 93.6 | 101.6 | 4   | 87  |  |          |      |
|      | DN100  | 113  | 120  | 130   | 5   | 101 |  |          |      |



| DIN  | EPDM(черно) | NBR(синьо) |
|------|-------------|------------|
| 25   |             |            |
| 32   |             |            |
| 38   |             |            |
| 50   |             |            |
| 63.5 |             |            |
| 76   |             |            |
| 100  |             |            |

|    |       |                      |     |  |     |  |  |
|----|-------|----------------------|-----|--|-----|--|--|
| 1  | DN50  | 78x1/6"              | 316 |  | 304 |  |    |
| 2  | DN65  | 95x1/6"              | 316 |  | 304 |  |  |
| 3  | DN80  | 110x1/4"             | 316 |  | 304 |  |  |
| 4  | DN100 | 130x1/4"             | 316 |  | 304 |  |  |
| 5  | DN50  | DIN                  | 316 |  | 304 |  |    |
| 6  | DN65  | DIN                  | 316 |  | 304 |  |  |
| 7  | DN80  | DIN                  | 316 |  | 304 |  |  |
| 8  | DN100 | DIN                  | 316 |  | 304 |  |  |
| 9  | DN50  | 78x1/6"              | 316 |  | 304 |  |    |
| 10 | DN65  | 95x1/6"              | 316 |  | 304 |  |  |
| 11 | DN80  | 110x1/4"             | 316 |  | 304 |  |  |
| 12 | DN100 | 130x1/4"             | 316 |  | 304 |  |  |
| 13 | DN65  | 95x1/6"<br>78x1/6"   | 316 |  | 304 |  |    |
| 14 | DN80  | 110x1/4"<br>95x1/6"  | 316 |  | 304 |  |  |
| 15 | DN100 | 130x1/4"<br>110x1/4" | 316 |  | 304 |  |  |
| 16 | DN50  | 78x1/6" 2"           | 316 |  | 304 |  |  |
| 17 | DN65  | 95x1/6" 2 1/2"       | 316 |  | 304 |  |    |
| 18 | DN80  | 110x1/4" 3"          | 316 |  | 304 |  |  |
| 19 | DN100 | 130x1/4" 4"          | 316 |  | 304 |  |  |
| 20 | DN50  | 78x1/6" 2"           | 316 |  | 304 |  |  |
| 21 | DN65  | 95x1/6" 2 1/2"       | 316 |  | 304 |  |  |
| 22 | DN80  | 110x1/4" 3"          | 316 |  | 304 |  |  |
| 23 | DN100 | 130x1/4" 4"          | 316 |  | 304 |  |  |
| 24 | DN50  | 78x1/6" 2"           | 316 |  | 304 |  |  |
| 25 | DN65  | 95x1/6" 2 1/2"       | 316 |  | 304 |  |  |
| 26 | DN80  | 110x1/4" 3"          | 316 |  | 304 |  |  |
| 27 | DN100 | 130x1/4" 4"          | 316 |  | 304 |  |  |

|    |       |          |     |  |     |  |  |
|----|-------|----------|-----|--|-----|--|--|
| 28 | DN50  | 78x1/6"  | 316 |  | 304 |  |  |
| 29 | DN65  | 95x1/6"  | 316 |  | 304 |  |  |
| 30 | DN80  | 110x1/4" | 316 |  | 304 |  |  |
| 31 | DN100 | 130x1/4" | 316 |  | 304 |  |  |
| 32 | DN50  | 78x1/6"  | 316 |  | 304 |  |  |
| 33 | DN65  | 95x1/6"  | 316 |  | 304 |  |  |
| 34 | DN80  | 110x1/4" | 316 |  | 304 |  |  |
| 35 | DN100 | 130x1/4" | 316 |  | 304 |  |  |